

Harmony search based algorithms for the optimum cost design of reinforced concrete cantilever retaining walls

A. Kaveh^{1,*}, A. Shakouri Mahmud Abadi²

Received: September 2009, Revised: February 2010, Accepted: April 2010

Abstract

Cost optimization of the reinforced concrete cantilever soil retaining wall of a given height satisfying some structural and geotechnical design constraints is performed utilizing harmony search and improved harmony search algorithms. The objective function considered is the cost of the structure, and design is based on ACI 318-05. This function is minimized subjected to design constraints. A numerical example of the cost optimization of a reinforced concrete cantilever retaining wall is presented to illustrate the performance of the presented algorithms and the necessary sensitivity analysis is performed.

Keywords: Structural optimization, Reinforced concrete, Cantilever retaining walls, Harmony search algorithm, Modified harmony search

1. Introduction

Earth retaining structures constitute an integral part of the infrastructure and reinforced concrete retaining walls as earth structures are frequently constructed for a variety of applications, most commonly for bridge abutments, road, transportation systems, lifelines and other constructed facilities.

In order to economize the cost of the reinforced concrete retaining walls under design constraints, the designer needs to vary the dimensions of the wall several times, making design process rather tedious and monotonous. Since it is extremely difficult to obtain a design satisfying all the safety requirements, it is beneficial to cast the problem as an optimization problem. Some studies have been made in this direction by Dembicki & Chi [1], Keskar & Adidam [2], Saribas & Erbatur [3], Rhomberg & Street [4], Basudhar & Lakshman [5], Sivakumar & Munwar [6], and Yepes [7]. Although some mathematical programming based methods have been developed for optimum design problems, however, their applications are limited due to the fact that they require gradient information and usually seek to improve the solution in the neighborhood of a starting point. In recent years, structural optimization has witnessed the

emergence of some novel and innovative design techniques. These stochastic search techniques make use of the ideas adopted from the nature, and do not suffer the discrepancies of mathematical programming based optimum design methods. The basic idea behind these techniques is to simulate the natural phenomena such as survival of the fittest, immune system, swarm intelligence and the cooling process of molten metals into a numerical algorithm. One of the recent additions to these techniques is the harmony search algorithm. This approach is based on the musical performance process that takes place when a musician searches for a better state of harmony. Jazz improvisation seeks musically pleasing harmony similar to the optimum design process which seeks optimum solutions. The pitch of each musical instrument determines the aesthetic quality, just as the objective function value is determined by the set of values assigned to each decision variable. In the process of musical production a musician selects and brings together number of different notes from the whole notes and then plays these with a musical instrument to find out whether it gives a pleasing harmony. The musician then tunes some of these notes to achieve a better harmony. Similarly it is then checked whether this candidate solution improves the objective function or not. This candidate solution is then checked to find out whether it satisfies the objective function or not, similar to the process of finding out whether euphonic music is obtained or not. Applications to structural design of structures can be found in the work of Saka [8,9], Saka & Erdal [10], Kaveh & Talatahari [11], and Kaveh *et al.* [12].

* Corresponding Author: alikhavah@iust.ac.ir
1 School of Civil Engineering, Iran University of Science and Technology, Narmak, Tehran-16, Iran
2 Building and Housing Research Centre, Tehran-16, Iran

In this study, the harmony search and improved harmony search algorithms are used to determine the optimum design of reinforced concrete retaining walls. The objective function considered is taken as the cost of the structure, and design is based on ACI 318-05. This function is minimized subjected to design constraints. A numerical example is presented in order to illustrate the performance of the present algorithms and the necessary sensitivity analysis is performed.

2. Design variables of the problem

Fig. 1 shows the seven continuous design variables considered for modeling of the walls. These variables consist of the thickness of top stem (T1), the thickness of key and stem (T2), the toe width (T3), the heel width (T4), the height of top stem (T5), the footing thickness (T6), and the key depth (T7).

3. Optimum design process

Design of conventional retaining walls consists of two phases:

1. Check for stability
 - Check for overturning
 - Check for sliding
 - Check for bearing capacity failure
2. Checking of each component for strength and the steel reinforcement

The harmony search algorithm initiates the design process by selecting random values for the thickness of top stem (T1), the thickness of the key and bottom stem (T2), the toe width (T3), the heel width (T4), the height of top stem (T5), the footing thickness (T6) and the key depth (T7). Then the algorithm checks the wall for stability and if the dimensions satisfy stability criteria, the algorithm calculate the required reinforcement and checks the strength. Harmony Search algorithm tries to find the best value for each design variable to minimize the objective function. The design process

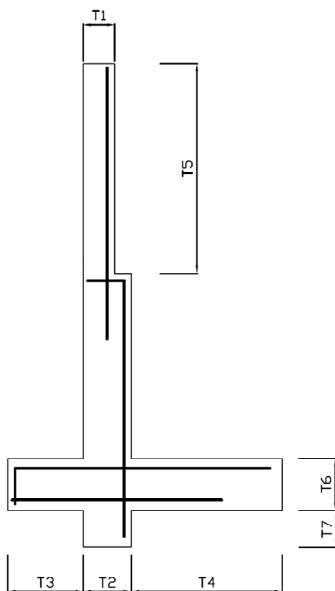


Fig. 1. A cantilever retaining wall and the considered design variables

consists of six steps as follow:

Step 1. Select the value of the harmony memory parameters (HM, HMCR, PAR_{min} and PAR_{max}).

Step 2. The harmony memory matrix is initialized (values for thickness of top stem (T1), thickness of key and bottom stem (T2), toe width (T3), heel width (T4), height of top stem (T5), footing thickness (T6) and key depth (T7) are chosen).

Step 3. Check whether the newly selected design vector should be pitch-adjusted.

Step 4. With the values selected for the T1, T2, T3, T4, T5, T6 and T7, the algorithm checks the wall for stability and if these dimensions satisfy the stability criteria, the algorithm calculates the required reinforcement and checks the strength.

Step 5. Calculate the objective function value for the newly selected design vector. If this value is better than the worst harmony vector in the harmony matrix, it is then included in the matrix while the worst one is taken out of the matrix. The harmony memory matrix is then sorted in descending order by the magnitudes of the objective function.

Step 6. Repeat steps 2 and 6 until the pre-selected maximum number of iterations is reached.

The details of controlling the stability and the strength are given in the Appendix.

4. Objective function

By minimizing a suitable and explicit cost function, one can reach to an optimum solution for a concrete cantilever retaining wall. The optimal design of a concrete cantilever retaining wall is proposed to be determined by the minimum of the costs of concrete and steel reinforcement. The objective function can be expressed as follows:

$$Q = V_{conc} \times (C_1 + C_2) + W_{steel} \times (C_3 + C_4) \quad (1)$$

By considering $\bar{Q} = Q / (C_1 + C_2)$, we have:

$$\text{Minimize } \bar{Q} = V_{conc} + W_{steel} \left(\frac{C_3 + C_4}{C_1 + C_2} \right) \quad (2)$$

Subjected to:

$$FS_{(overturning)} \geq 1.5 \text{ Ref. [13]} \quad (3)$$

$$FS_{(sliding)} \geq 1.5 \quad (4)$$

$$FS_{(bearing\ capacity)} \geq 2 \quad (5)$$

$$M_u / (\phi_b M_n) \leq 1 \quad (6)$$

$$V_u / (\phi_v V_n) \leq 1 \quad (7)$$

Where V_{conc} and W_{steel} are the volume of concrete and the weight of reinforcement steel in the unit of length (ft³/ft or m³/m, lb/ft or kg/m), C_1 and C_2 are the cost of the concrete and steel (\$/lb or \$/kg), C_3 and C_4 are the cost of concreting and erecting reinforcement (\$/lb or \$/kg).

Experience show the value of $\left(\frac{C_3 + C_4}{C_1 + C_2} \right)$ is in the range of 0.035 to 0.045.

5. Harmony search algorithm

The method consists of five basic steps. Detailed explanation of these steps can be found in the work of Geem & Kim [14], Lee & Geem [15,16], and Geem [17] which are summarized in the following:

- Step 1. Harmony search parameters are initialized.
- Step 2. Harmony memory matrix is initialized.
- Step 3. New harmony memory matrix is improvised.
- Step 4. Harmony memory matrix is updated
- Step 5. Steps 3 and 4 are repeated until the termination criterion is satisfied.

Step 1. A possible value range for each design variable of the optimum design problem is specified. A pool is constructed by collecting these values together from which the algorithm selects values for the design variables. Furthermore, the number of solution vectors in harmony memory (HMS) that is the size of the harmony memory matrix, the harmony considering rate (HMCR), the pitch adjusting rate (PAR) and the maximum number of searches are also selected in this step.

Step 2. Harmony memory matrix is initialized. Each row of the harmony memory matrix contains the values of design variables which are randomly selected feasible solutions from the design pool for that particular design variable. Hence, this matrix has n columns, where n is the total number of design variables and HMS rows which is selected in the first step. HMS is similar to the total number of individuals in the population matrix of the genetic algorithm. The harmony memory matrix has the following form:

$$[H] = \begin{bmatrix} x_{1,1} & x_{2,1} & \cdots & \cdots & x_{n-1,1} & x_{n,1} \\ x_{1,2} & x_{2,2} & \cdots & \cdots & x_{n-1,2} & x_{n,2} \\ \cdots & \cdots & \cdots & \cdots & \cdots & \cdots \\ \cdots & \cdots & \cdots & \cdots & \cdots & \cdots \\ x_{1,hms-1} & x_{2,hms-1} & \cdots & \cdots & x_{n-1,hms-1} & x_{n,hms-1} \\ x_{1,hms} & x_{2,hms} & \cdots & \cdots & x_{n-1,hms} & x_{n,hms-1} \end{bmatrix} \quad (8)$$

Here $x_{i,j}$ is the value of the i th design variable in the j th randomly selected feasible solution. These candidate designs are sorted such that the objective function value corresponding to the first solution vector is the minimum. In other words, the feasible solutions in the harmony memory matrix are sorted in descending order according to their objective function value. It is worthwhile to mention that not only the feasible designs satisfying the constraints are inserted into the harmony memory matrix.

Step 3. In generating a new harmony matrix, the new value of the i th design variable can be chosen from any discrete value within the range of i th column of the harmony memory matrix with the probability of HMCR which varies between 0 and 1. In other words, the new value of x_i can be one of the discrete values of the vector $\{x_{i,1}, x_{i,2}, \dots, x_{i,hms}\}^T$ with the

probability of HMCR. The same is applied to all other design variables. In the random selection, the new value of the i th design variable can also be chosen randomly from the entire pool with the probability of $1 - \text{HMCR}$. That is

$$x_i^{new} = \begin{cases} \{x_{i,1}, x_{i,2}, \dots, x_{i,hms}\}^T & \text{with probability HMCR} \\ \{x_1, x_2, \dots, x_{ns}\}^T & \text{with probability } (1 - \text{HMCR}) \end{cases} \quad (9)$$

Where ns is the total number of the values for the design variables in the pool. If the new value of the design variable is selected from those of the harmony memory matrix, this value is then checked whether it should be pitch adjusted. This operation uses pitch adjustment parameter PAR that sets the rate of adjustment for the pitch chosen from the harmony memory matrix as follows:

$$\text{Is } x_i^{new} \text{ to be pitch-adjusted?} \begin{cases} \text{Yes} & \text{with probability of PAR} \\ \text{No} & \text{with probability of } (1 - \text{PAR}) \end{cases} \quad (10)$$

Supposing that the new pitch-adjustment decision for x_i^{new} come out to be yes from the test, and if the value selected for x_i^{new} from the harmony memory is the k th element in the general discrete set, then the neighboring value $k+1$ or $k-1$ is taken for the new x_i^{new} . This operation prevents stagnation and improves the harmony memory for diversity with a greater change in reaching the global optimum.

Step 4. After selecting the new values for each design variable, the objective function value is calculated for the new harmony vector. If this value is better than the worst harmony vector in the harmony matrix, it is then included in the matrix, while the worst one is taken out of the matrix. The harmony memory matrix is then sorted in descending order by the objective function value.

Step 5. Steps 3 and 4 are repeated until the termination criterion which is the pre-selected maximum number of cycles is reached. This number is selected large enough such that within this number of design cycles no further improvement is observed in the objective function.

6. Improved harmony search algorithm

The HMCR and PAR parameters introduced in Step 3 help the algorithm to find globally and locally improved solutions, respectively.

PAR in HS algorithm is a very important parameter in fine-tuning of the optimized solution vectors, and can be potentially useful in adjusting the convergence rate of the algorithm to an optimal solution. Thus, fine adjustment of this parameter is of great importance. The traditional HS algorithm uses fixed value for PAR. In the HS method PAR value adjusted in initialization step (Step 1) and cannot be changed during new generations. The main drawback of this method appears in the number of iterations the algorithm needs to find an optimal solution. Small PAR values can result in poor performance of the algorithm and considerable increase in iterations needed to find optimum solution, Mahdavi *et al.* [18].

The key difference between the improved harmony search

(IHS) algorithm, developed by [18] and the traditional HS method is in the way of adjusting the PAR. In order to improve the performance of the HS algorithm and to eliminate the drawbacks which are associated with the fixed values of PAR, IHS algorithm uses variable PAR in the improvisation step (Step 3). PAR changes dynamically with the generation number as follow:

$$PAR(g_n) = PAR_{\min} + \frac{PAR_{\max} - PAR_{\min}}{NI} \times g_n \quad (11)$$

Where

PAR: the pitch adjusting rate for each generation;

PAR_{min}: the minimum pitch adjusting rate;

PAR_{max}: the maximum pitch adjusting rate;

NI: the number of solution vector generations;

g_n: the generation number.

7. A numerical example

The process of optimization is described in Section 3. For this purpose a computer program is written in Matlab for analysis, design and optimization. The analysis and design are in the form of a function which is called by the optimization program.

Two types of backfills are considered as defined in Table 1, and design is based on 1.0m wide strip of the retaining wall. Ground

water level is assumed to be below the foundation level of the wall and therefore not affecting the soil properties. The total height of stem is constant and equal to 6.1m. Surcharge load is 10kN/m². The 28 days concrete cylinder strength is 25 MPa, Rebar yield stress is 300 MPa, and the allowable soil pressure is taken as q_a=300 kN/m² (3kg/cm²). The clear concrete cover is 50 mm. The hp is equal to zero. Upper and lower bounds for the design variable are shown in Table 2. A schematic view of a concrete retaining wall is illustrated in Fig. 2. The improved harmony search algorithm parameters are taken as:

$$HMS=30, HMCR=0.85, PAR_{\min}=0.35 \text{ and } PAR_{\max}=0.99.$$

The design histories for two types of back files (F1 and F2) are shown in Fig. 3 and Fig. 4, respectively.

Numerical results reveal that the HIS can find better solutions compared to the standard HS.

8. Sensitivity analysis for the improved harmony search parameters

In this section, a sensitivity analysis is performed for the improved harmony search parameters involved in the present study. The results of the sensitivity analyses carried out to determine the appropriate values of the improved harmony search parameters are given in Table 4. The design histories are illustrated in Fig. 5.

Table 1. Types of the backfills considered in the present work

Type of back fill	Description	Density (kN/m ³)	Internal friction angle (°)
F1	Coarse granular fills (GW, GP)	22	35
F2	Granular soils with more than 12% of fines (GW, GS, SM, SL) and fine soils with more than 25% of coarse grains (CL-ML)	20	30

Table 2. Upper and lower bound for design variables

Design variables	Thickness of the top stem	Thickness of the key and bottom stems	Toe width	Heel width	Height of the top stem	Footing thickness	Key depth
Upper bound	0.3 m	0.3 m	0.45 m	1.8 m	1.5 m	0.3 m	0.2m
Lower bound	0.6 m	0.6 m	1.2 m	3 m	6.1 m	0.9 m	0.9m

Table 3. Optimum results for two types of back fills

Type of fill	Thickness of top stem	Thickness of key and bottom stem	Toe width	Heel width	Height of top stem	Footing thickness	Key depth	As1	As2	As3	As4
F1	33 cm	60 cm	120 cm	256 cm	325 cm	57 cm	67 cm	10.33 cm ²	30 cm ²	26.53 cm ²	10.54 cm ²
F2	34 cm	60 cm	117 cm	213 cm	333 cm	56 cm	35 cm	9.26 cm ²	26.34 cm ²	21.48 cm ²	10.34 cm ²

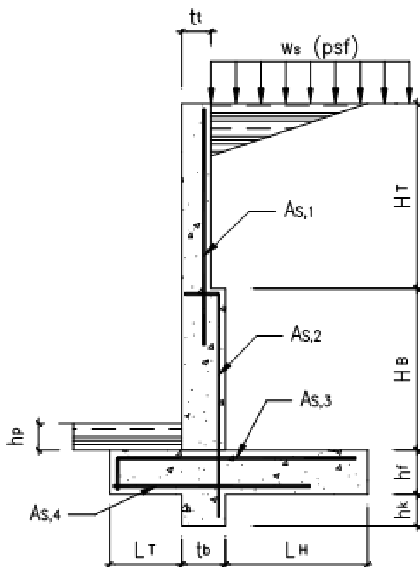


Fig. 2. Schematic view of a concrete retaining wall

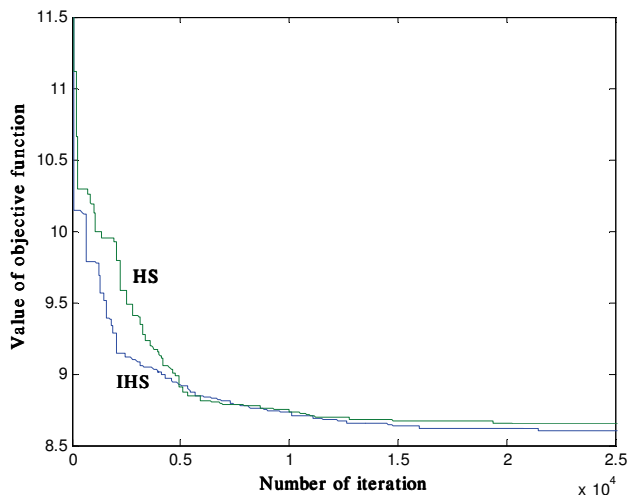


Fig. 3. Design history for back fill F1

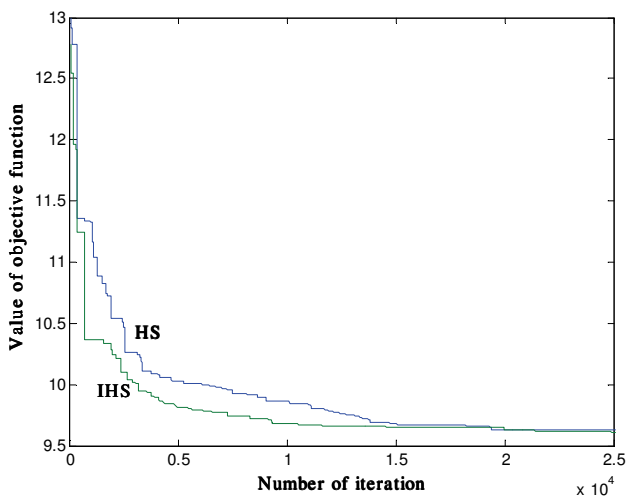


Fig. 4. Design history for back fill F2

Table 4. Improved harmony search parameters used for the sensitivity analysis

Case	HMS	HMCR	PARmin	PARmax
1	30	0.85	0.4	0.85
2	30	0.9	0.45	0.9
3	30	0.95	0.3	0.95
4	30	0.95	0.25	0.95
5	30	0.85	0.35	0.99

9. Concluding remarks

The optimization is performed by the recently developed improved harmony search method. This mathematically simple algorithm sets up harmony search matrix, each row of which consists of randomly selected feasible solutions to the design problem. In each search step, the algorithm searches the entire set rather than a local neighborhood of a current solution vector. It neither needs initial starting values for the design variables nor a population of candidate solutions to the design problem.

In this study, the improved harmony search developed in Ref. [18] is used, where the effects of this improvement on different mathematical functions and optimization problems are illustrated. IHS algorithm like harmony search algorithm is good at finding areas of the global optimum and is as good as mathematical techniques at fine-tuning within those areas. Numerical results reveal that the improved algorithm can find better solutions when compared to the standard HS. The results obtained show that the improved harmony search method is a powerful and an efficient method for finding the optimum solution of structural optimization problems. It is observed that the newly framed algorithm for optimal design of cantilever retaining wall is quite robust and efficient.

The proposed optimum design model enables structural designers to generate and evaluate optimal/near-optimal design solutions. This algorithm consists of the following three modules:

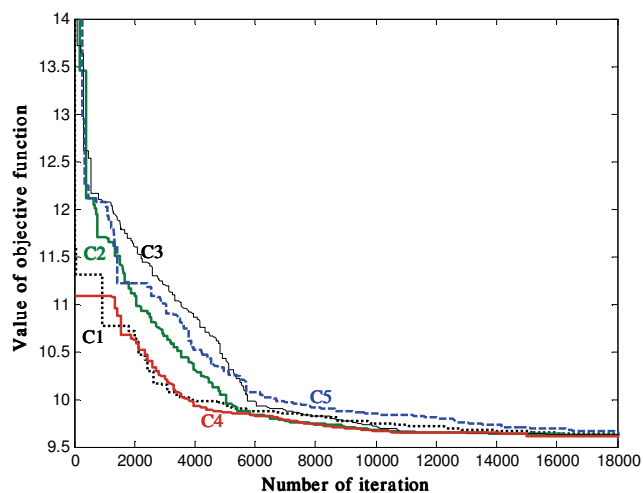


Fig. 5. Design history for back fill F2 (cases 1, 2, 3, 4 and 5)

- (1) A design module that performs the design of cantilever retaining wall;
- (2) A cost module that computes the total cost of cantilever retaining wall;
- (3) An optimization module that searches for optimal design alternatives.

The main aim of this paper has been to present a simple and efficient algorithm which can be employed in practical engineering problems. Such a simple approach can be utilized in many other engineering design problems to reduce the cost of the construction. Here, Harmony search method has been utilized; however, other meta-heuristics can also be applied to this problem. Examples of such methods can be found in [21-25].

Notation

tt	Top stem thickness
tb	Bottom stem & key thickness
HT	Top stem height
HB	Bottom stem height
LT	Toe length
LH	Heel length
L	Total length of the base of the footing
h_f	Footing thickness
γ_b	Density of the fill
φ	Internal friction angle of the fill
β	Backfill slope
μ	Base friction coefficient
γ_c	Density of the concrete
$W_{w,t}$	Weight of the top stem
$W_{w,b}$	Weight of the bottom stem
W_b	Weight of the fill on the heel
W_s	Surcharge weight
hk	Key depth
hp	Soil over toe
C_1	Cost of the concrete
C_2	Cost of the steel
C_3	Cost of the concreting
C_4	Cost of the erecting reinforcement
C_1, \dots, C_5	Considered cases for sensitivity study
$F1, F2$	Type of the back fills
$T1, \dots, T7$	The selected variables

Acknowledgement: The first author (Fellow of the Iranian Academy of Sciences) is grateful for the support.

References

- [1] Dembicki E, Chi T. System analysis in calculation of cantilever retaining wall. *International Journal for Numerical and Analytical Method in Geomechanics*, 1989, Vol. 13, pp. 599-610.
- [2] Keskar AV, Adidam SR. Minimum cost design of a cantilever retaining wall. *The Indian Concrete Journal*, Bombay, India, 1989, pp 401-405.
- [3] Saribas A, Erbatur F. Optimization and sensitivity of retaining structures. *Journal of Geotechnical Engineering*, 1996, Vol. 8, pp. 649-656.
- [5] Rhomberg EJ, Street WM. optimal design of retaining walls. *Journal of Structural Division, ASCE*, 1981, Vol. 107, pp. 992-1002.
- [5] Basudhar PK, Lakshman B. Optimal cost design of cantilever retaining walls. *IGC 2006, Chennai, India*, 14-16 December 2006.
- [6] Sivakumar B, Munwar B. Optimum design of cantilever retaining walls using target reliability approach. *International Journal of Geomechanics* 2008, Vol. 8, pp. 240-252.
- [7] Yepes V, Alcalá, J, Perea C, Gonzalez-Vidosa F. A parametric study of optimum earth-retaining walls by simulated annealing, *Engineering Structures* 2008, Vol. 30, pp. 821-830.
- [8] Saka MP. Optimum geometry design of geodesic domes using harmony search algorithm. *Advances in Structural Engineering* 2007, Vol. 10, pp. 595-606.
- [9] Saka MP. Optimum design of steel sway frames to BS5950 using harmony search algorithm. *Journal of Constructional Steel Research* 2009, Vol. 65, pp. 36-43.
- [10] Saka MP, Erdal F. Harmony search based algorithm for the optimum design of grillage systems to LRFD-AISC. *Structural Multidisciplinary Optimization* 2009, Vol. 38, pp. 25-41.
- [11] Kaveh A, Talatahari S. Particle swarm optimizer, ant colony strategy and harmony search scheme hybridized for optimization of truss structures, *Computers and Structures*, 2009, Vol. 87, pp. 267-283.
- [12] Kaveh A, Hassani B, Shojaee S. Structural topology optimization using ant colony methodology, *Engineering Structures*, 2008, Vol. 30, pp. 2559-2565.
- [13] Das BM. *Principles of Foundation Engineering*, 5th Edition, Brooks/Cole, a Division of Thomson Learning Inc, 2004.
- [14] Geem ZW, Kim JH, Loganathan GV. A new heuristic optimization algorithm: harmony search. *Simulation* 2001, Vol. 76, pp. 60-68.
- [15] Lee KS, Geem ZW. A new structural optimization method based on harmony search algorithm, *Computers and Structures*; 2004, Vol. 82, pp. 781-798.
- [16] Lee KS, Geem ZW. A new meta-heuristic algorithm for continuous engineering optimization: harmony search theory and practice, *Computer Methods in Applied Mechanical Engineering* 2005, Vol. 194, pp. 3902-3933.
- [17] Geem ZW, *Harmony Search Algorithms for Structural Design*, Edited by Springer Verlag, 2009.
- [18] Mahdavi M, Fesanghary M, Damangir E. An improved harmony search algorithm for solving optimization problems, *Applied Mathematics and Computation*, 2007, Vol. 188, pp. 1567-1579.
- [19] ACI Committee 318, *Building Code Requirements for Structural Concrete (ACI 318-05) and Commentary (318R-05)*, American Concrete Institute, Farmington Hills, Mich., 430 p, 2005.
- [20] Williams A. *Structural Engineering License Review Problems and Solutions*, Oxford University Press, 2003.
- [21] Kaveh A, Farhoodi N. Layout optimization for X-bracing of planar steel frames, *International Journal of Civil Engineering*, 2010, Vol. 8, pp. 187-206.
- [22] Jalali MR, Afshar A, Marino MA. Multi-reservoir operation by adaptive pheromone re-initiated ant colony optimization algorithm, *International Journal of Civil Engineering*, 2007, Vol. 5, pp. 12-2007.
- [23] Afshar MH, Rajabpour R. Optimal design and operation of irrigation pumping systems using particle swarm optimization algorithm, *International Journal of Civil Engineering*, 2007, Vol. 5, pp. 12-2007.
- [24] Kaveh A, Kalatjari V. Size/geometry optimisation of trusses by the force method and genetic algorithm. *Zeitschrift Angewandte Mathematik und Mechanik*, 2004, Vol. 84, pp. 347-357.
- [25] Kaveh A, Talatahari S. Optimal design of truss structures via the charged system search algorithm, *Structural Multidisciplinary Optimization*, 2010, Vol. 37, pp. 893-911.

Appendix: Analysis and design of concrete cantilever retaining wall

The content of this section is based on Ref. [13] and Refs. [19-20].

A1. Active and passive earth pressure coefficients

The active and passive earth pressure coefficients are computed using the Coulomb earth pressure theory. The details of the Coulomb earth pressure are shown in Fig. A1. Fig. A1.

$$K_{A.C} = \frac{\sin^2(\alpha + \phi)}{\sin^2(\alpha) \sin(\alpha - \delta) \left[1 + \sqrt{\frac{\sin(\phi + \delta) \sin(\phi - \beta)}{\sin(\alpha - \delta) \sin(\alpha + \beta)}} \right]^2} \quad (A-1)$$

$$K_{P.C} = \frac{\sin^2(\alpha - \phi)}{\sin^2(\alpha) \sin(\alpha + \delta) \left[1 + \sqrt{\frac{\sin(\phi + \delta) \sin(\phi + \beta)}{\sin(\alpha + \delta) \sin(\alpha + \beta)}} \right]^2} \quad (A-2)$$

A2. Stability control

All the loads acting on the cantilever retaining wall are shown in Fig. A2.

Check for Overturning:

$$FS_{(overturning)} = \frac{\sum M_R}{\sum M_O} \quad (A-3)$$

Where

$\sum M_O$ = sum of the moments of forces that tends to overturn about point C

$\sum M_R$ = sum of the moments of forces that tends to resist overturning about C

$$FS_{(overturning)} = \frac{\sum Wx + M_{HP}}{\sum Hy} \quad (A-4)$$

Check for sliding along the base:

$$FS_{(sliding)} = \frac{F_{R'}}{F_d} \quad (A-5)$$

where

$\sum F_{R'}$ = sum of the horizontal resisting forces

$\sum F_d$ = sum of the horizontal driving forces

$$FS_{(sliding)} = \frac{Hb + Hs}{Hp + \mu \sum W} \quad (A-6)$$

Check for bearing capacity failure:

$$FS_{(bearing\ capacity)} = \frac{q_u}{q_{max}} \quad (A-7)$$

Where:

q_u = Ultimate bearing capacity

q_{max} = Maximum bearing pressure

$$q_{max} = \begin{cases} \frac{\sum W(1 + \frac{6e}{L})}{2 \sum W}, & \text{for } e \leq \frac{L}{6} \\ \frac{3B(0.5L - e)}{2 \sum W}, & \text{for } e > \frac{L}{6} \end{cases} \quad (A-8)$$

$$e = \frac{L}{2} - \frac{\sum Wx - \sum Hy - M_{HP}}{\sum W} \quad (A-9)$$

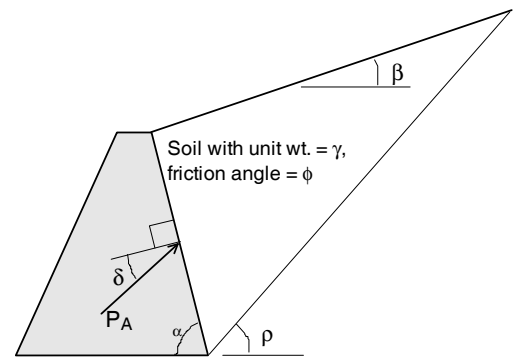


Fig. A1. Detail for the Coulomb earth pressure

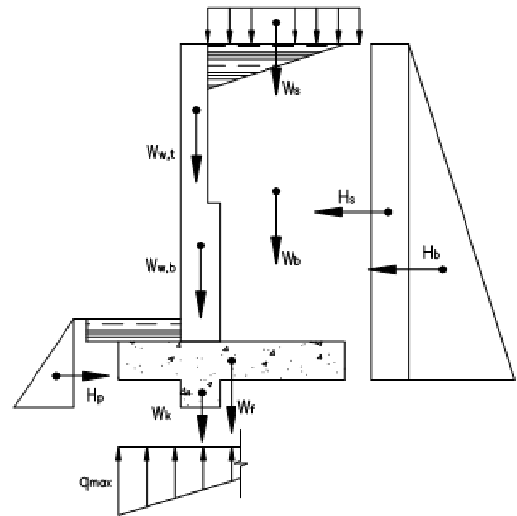


Fig. A2. Loads in cantilever retaining wall

A3. Check for the strength

Checks the stem flexure capacity (is the load factor):

$$M_u / (\phi_b M_n) \leq 1 \quad (A-10)$$

$$M_u = \begin{cases} 1.6 \left(\frac{Pa \times HT^3}{6} + \frac{Pa \times HT^2 \times w_s}{2\gamma_b} \right), & \text{for top stem} \\ 1.6 \left(\frac{Pa \times (HT + HB)^3}{6} + \frac{Pa \times (HT + HB)^2 \times w_s}{2\gamma_b} \right), & \text{for bottom stem} \end{cases} \quad (A-11)$$

$$P_u = \begin{cases} 1.2 W_{w,t}, & \text{for top stem} \\ 1.2 (W_{w,t} + W_{w,b}), & \text{for bottom stem} \end{cases} \quad (A-12)$$

$$M_n = \left[A_s f_y \left(d - \frac{A_s f_y - P_u}{1.7 b f_c'} \right) \right] \quad (A-13)$$

Check the heel flexure capacity:

The soil pressure under footing is shown in Fig. A3

$$e_u = \frac{L}{2} - \frac{\sum \gamma W \times x - \sum \gamma H \times y - MHP}{\sum \gamma W} \quad (A-14)$$

$$S = \frac{\sum \gamma W}{0.5q_{u,toe}} - LT + tb \quad (A-15)$$

$$M_{u,3} = \begin{cases} \frac{LH}{2} \left(\gamma w_s + \gamma w_b + \frac{LH}{L} \gamma w_f \right) - \frac{(q_{u,3} + 2q_{u,heel})b LH^2}{6}, & \text{for } e_u \leq \frac{L}{6} \\ \frac{LH}{2} \left(\gamma w_s + \gamma w_b + \frac{LH}{L} \gamma w_f \right) - \frac{q_{u,3}b S^2}{6}, & \text{for } e_u > \frac{L}{6} \end{cases} \quad (A-16)$$

$$\rho_{req,3} = \frac{0.85f'_c \left(1 - \sqrt{1 - \frac{M_{u,3}}{0.383bd^2f'_c}} \right)}{f_y} \quad (A-17)$$

Check the toe flexure capacity:

$$M_{u,4} = \frac{(q_{u,4} + 2q_{u,toe})b LT^2}{6} - \frac{LT^2}{2L} \gamma w_f \quad (A-18)$$

$$\rho_{req,4} = \frac{0.85f'_c \left(1 - \sqrt{1 - \frac{M_{u,4}}{0.383bd^2f'_c}} \right)}{f_y} \quad (A-19)$$

Check the shear capacity for the stem:

$$V_{allowable} = 2\phi b d_{stem} \sqrt{f'_c} \quad (A-20)$$

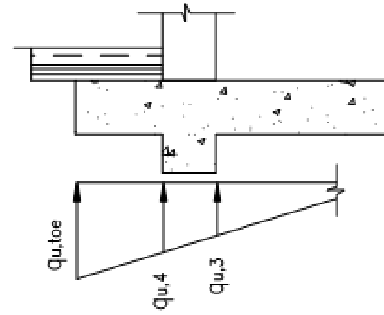


Fig. A3. Soil pressure

$$V = \begin{cases} \gamma \left(\frac{P_a HT^2}{2} + \frac{w_s P_a HT^2}{\gamma_b} \right), & \text{for top stem} \\ \gamma \left(\frac{P_a (HT + HB)^2}{2} + \frac{w_s P_a (HT + HB)^2}{\gamma_b} \right), & \text{for bottom stem} \end{cases} \quad (A-21)$$

Check the shear capacity for the heel:

$$V = [\gamma(hf \times \gamma_c + (HT + HB) \times \gamma_b + w_s) - 0.5(q_{u,3} + q_{u,heel})]LH \quad (A-22)$$

$$V_{allowable} = 2\phi b d_{heel} \sqrt{f'_c} \quad (A-23)$$

Check the shear capacity for the toe:

$$V = 0.5(q_{u,toe} + q_{u,4})LT \quad (A-24)$$

$$V_{allowable} = 2\phi b d_{toe} \sqrt{f'_c} \quad (A-25)$$